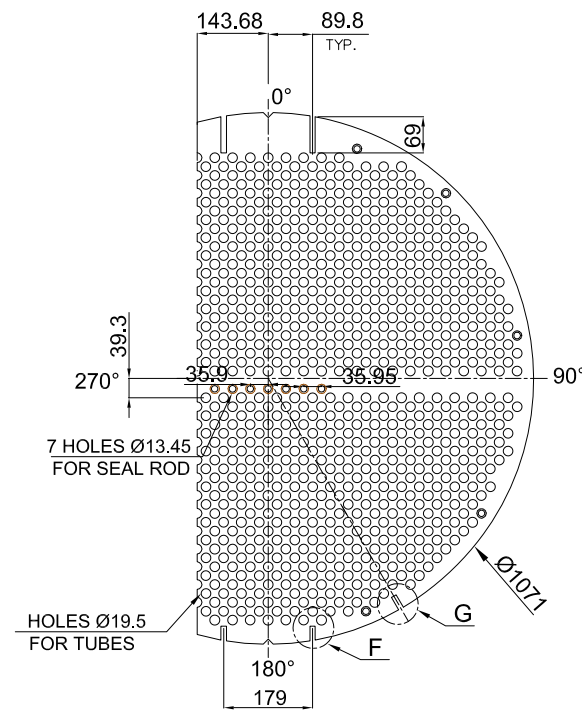
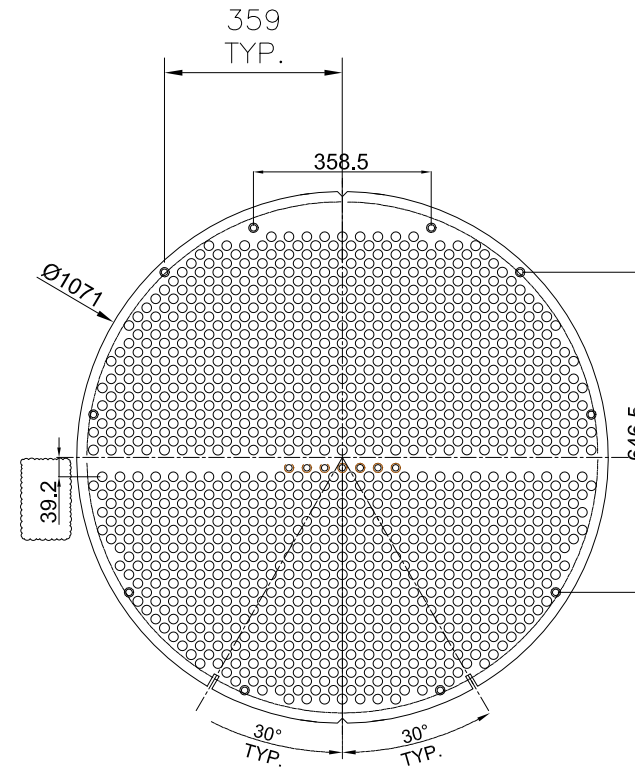


Tube Sheet (Item 4)
Thickness : 48 mm
Material : Copper Nickel
OD.:1071 mm
Hole OD.: 19.05 mm
Tube QTY.: 586



Tube Sheet (Item 5)
Thickness : 50 mm
Material : Copper Nickel
OD.:1071 mm
Hole OD.: 19.05 mm
Tube QTY.: 586



Tube Sheet (Item 6)
Thickness : 50 mm
Material : Copper Nickel
OD.:1071 mm
Hole OD.: 19.05 mm
Tube QTY.: 1172



Proforma Invoice



Seller (Name, address) ARAL GENERAL TRADING L.L.C. Office #101, Bldg.No. 193, Al Rigga Building Abu Baker Al Siddiqe St., Port Saeed, Dubai, UAE, P.O. Box: 181680 Tel/Fax: +971 4 265 1340 Email: info@aral-ae.com / Web: www.aral-ae.com	Proforma Invoice number: BA-186 TS-195 KAISHENG
	Proforma Invoice date: 02.MAY.2022
	Validity Date: 28.DEC.2023
	TAX ID Code: 411371661995
	National ID Code: 10530229322

Consignee (name, address)	Buyer (name, Address) PETRO KIMIA ARVIN CO Factory: Sazandegi 2, Pouya St. , Industrial Zone 3, Ahwaz, Khuzestan Province, Iran Address: 4th Floor, No.38, Khoramshahr ST., North Sohrevardi, Tehran, Iran Tel:02188536617 Email:vafa.commercial@pkarvin.com
----------------------------------	------------------------------------------------------------------------------------------------------------------------------------------------------------------------------------------------------------------------------------------------------------------------------------

Payment term: 50% Advanced 50% Balance	Country of beneficiary: Dubai
	Country of origin: China
	Country of Destination: Iran
	Terms of Delivery: FOB

Partial shipment: Allowed

Transport mode and means: Sea Transportation	Port/air pf loading: Jebelali Dubai	Transaction currency:
-----------------------------------------------------	--------------------------------------------	------------------------------

Port/airport of discharge:	Final place delivery:	No and kind of standard:
-----------------------------------	------------------------------	---------------------------------

Shipping marks;Transport unit ID	Kind of packages Shipping:	Commodity:
-----------------------------------------	-----------------------------------	-------------------

HS CODE	DESCRIPTION	QUANTITY / PCS	NET weight	GROSS WEIGHT	PRICE EURO/PER KG	AMOUNT/ EURO
74093900	TUBE SHEET CU-NI 90/10	22	787	822	24.00	18888.00
TOTAL		22	787	822		18888.00

	Bank Details:
	Name : ARAL GENERAL TRADING LLC
	Bank name: Mashreq Bank
	Branch: ENTPR. BUS. VIL [082]
	Account Number : 19100101176
	IBAN Number: AE380330000019100101176 SWIFT Code: BOMLAHAD

United Nations electronic trade Docs